

# Capacitors for Power Electronics

## **Energy storage capacitors**

*Dry type, Metallized film, Energy density up to 1J/cc*

## Series **ESDS**

### General

The ESDS series capacitors are specifically designed for discharge applications. The capacitor has low losses and elements are made by self-healing metallized polypropylene film with dry technology. The special composition of polymeric dielectric enables to reach high dielectric strength and energy density up to 1J/cc. Special construction of connection terminals provides low self-inductance. The capacitors have excellent operating current and lifetime.



### Characteristics

Standard	IEC 61071
Capacitance tolerance	±10% (optional ±5%)
Rated DC Voltage	up to 40kV
Dielectric	Polypropylene
Tangent of the loss angle	< 0.1%
Self-inductance (ESL)	< 100nH
Test voltage between terminals	1.25xUn / 10s at 25±5°C
Test voltage between terminals and case	1.5xUn VAC / 60s at 60Hz 25±5°C
Operating temperature	-40°C / +70°C (optional 85°C)
Storage temperature	-40°C / +85°C
Case	Rectangular non-magnetic stainless steel
Filling material	Epoxy resin (RoHS complied) or N <sub>2</sub>
Cooling method	Natural

ISO 9001:2015 認證工廠

YCE CAT-31 V01.2021.04



**裕昌機電工廠股份有限公司**

**YUHCHANG ELECTRIC CO., LTD.**

總公司: 台中市清水區中正街59號 TEL:(04)2622-4188 FAX:(04)2622-4646  
台北連絡處: 台北市復興南路1段321號二樓 TEL:(02)2702-1616 FAX:(02)2702-6162  
高雄連絡處: 高雄市復興一路五之一號 TEL:(07)241-7766 FAX:(07)291-5282

Address: No. 59, Chung Cheng Street, Ching Shui District, Taichung City 43653, Taiwan

Web address: <http://www.capacitor.com.tw>

E-mail: [yce919@ms1.hinet.net](mailto:yce919@ms1.hinet.net)

# Capacitors for Power Electronics

(Reference Dimensions)

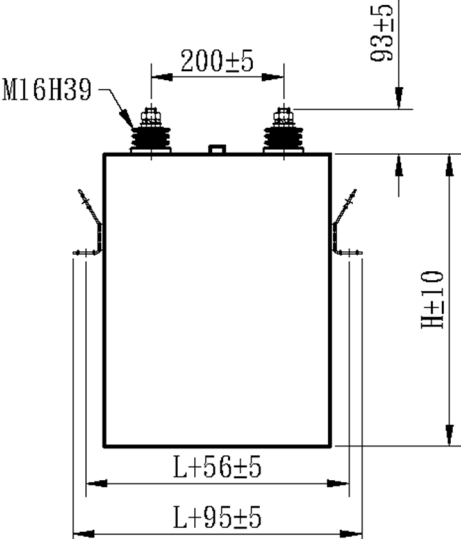
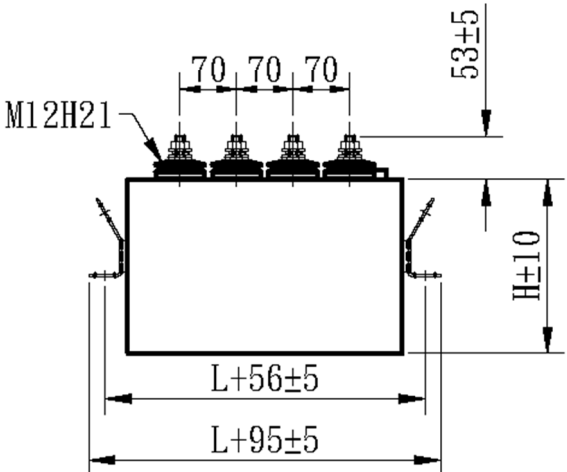
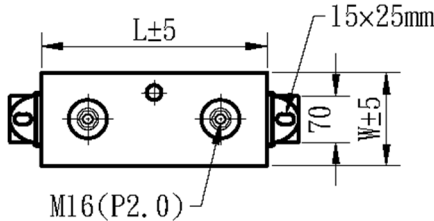
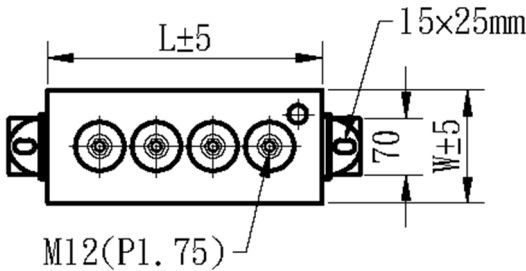


Fig-1

Fig-2

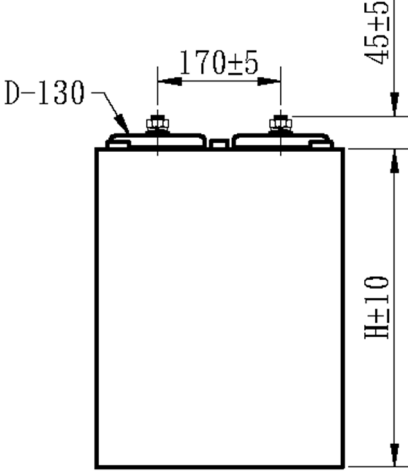
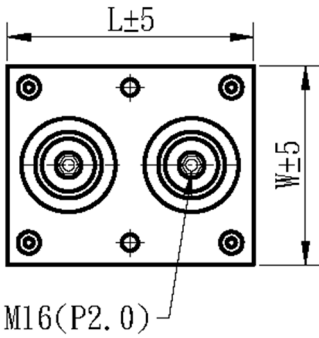


Fig-3