

Applications:

DC linking or DC filtering in Voltage converters, Frequency converters, Traction drives, Industrial drives, UPS, Medical equipment

Features:

- ◆ High impulse discharge current capability
- ◆ Very low stray inductance
- ◆ Extremely low losses at high frequencies
- ◆ Highest RMS current rating
- ◆ Casing material UL94 V-0
- ◆ Resistance to heavy duty shock and vibration
- ◆ Long life expectancy and high reliability



Specification and Performance:

Standards	IEC 61071, IEC 61881-1
Installation	Indoor use, maximum above sea level 1000M
Capacitance tolerance	-5%/+10% (optional for ±5% or ±10%)
Operating temperature of case	-40°C to +80°C
Dielectric	Metallized polypropylene film with self-healing technology
Dissipation factor	< 0.1%
Test voltage between terminals	Unx1.5 VDC, 10s
Test voltage between terminals and case	Unx2 VDC+1000 VAC, 10s
Equivalent series inductance (ESL)	< 40 nH
Filling	Epoxy resin, UL94 V-0
Casing material	Plastic, UL94 V-0
Terminals	M8 female thread terminals of tinned brass, maximum torque 8.5Nm.
Cooling method	Naturally air-cooled or force air cooling

ISO 9001:2015 Company



裕昌機電工廠股份有限公司

YUHCHANG ELECTRIC CO., LTD.

總公司: 台灣·台中市清水區中正街59號
 台北連絡處: 台北市復興南路1段321號二樓
 高雄連絡處: 高雄市復興一路5之1號

TEL:04-26224188
 TEL:02-27021616
 TEL:07-2417766

FAX:04-26224646
 FAX:02-27066162
 FAX:07-2915282

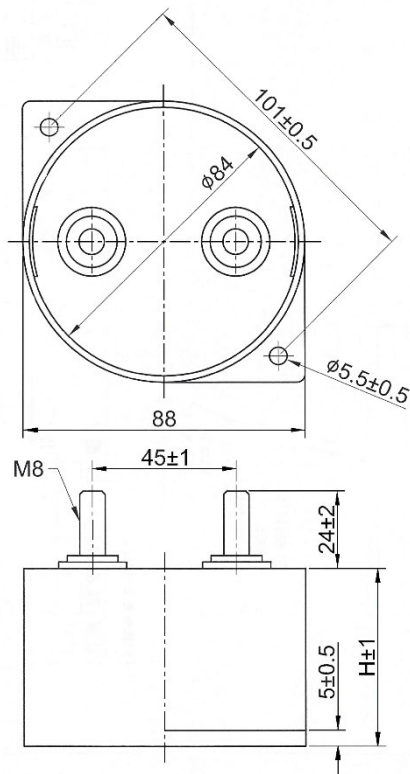
Address: 59, CHUNG-CHENG STREET, CHING-SHUI DISTRICT, TAICHUNG CITY 43653, TAIWAN

Tel: +886-4-26224188

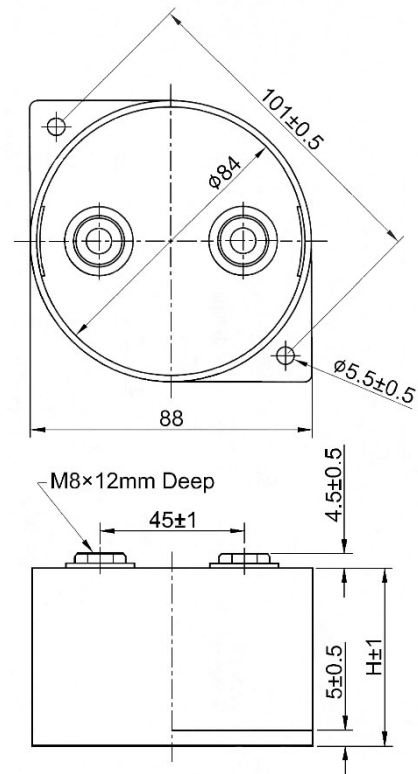
Fax: +886-4-26224646

<http://www.capacitor.com.tw>

E-mail: yce919@ms1.hinet.net



Drawing 1



Drawing 2

$U_{NDC} = 900V_{DC}$

Type	Voltage V_{DC}	μF	ESR (m Ω)	Rth (K/W)	I _{max.} (A)	I _p (A)	I _s (A)	D	H	Weight (kg)	Drawing No.
PE4-9-U9505	900	95	0.7	5.0	55	950	2850	88	56	0.5	1 and 2
PE4-9-U1506	900	150	0.8	3.9	50	1050	3150	88	68	0.6	1 and 2

$U_{NDC} = 1250V_{DC}$

Type	Voltage V_{DC}	μF	ESR (m Ω)	Rth (K/W)	I _{max.} (A)	I _p (A)	I _s (A)	D	H	Weight (kg)	Drawing No.
PE4-12-U5005	1250	50	1.0	6.4	50	700	2100	88	56	0.5	1 and 2
PE4-12-U7505	1250	75	1.1	4.8	47	750	2250	88	68	0.6	1 and 2

$U_{NDC} = 1800V_{DC}$

Type	Voltage V_{DC}	μF	ESR (m Ω)	Rth (K/W)	I _{max.} (A)	I _p (A)	I _s (A)	D	H	Weight (kg)	Drawing No.
PE4-18-U2505	1800	25	1.3	7.0	43	500	1500	88	56	0.5	1 and 2
PE4-18-U3505	1800	35	1.8	4.9	38	525	1575	88	68	0.6	1 and 2

$U_{NDC} = 2150V_{DC}$

Type	Voltage V_{DC}	μF	ESR (m Ω)	Rth (K/W)	I _{max.} (A)	I _p (A)	I _s (A)	D	H	Weight (kg)	Drawing No.
PE4-21-U1505	2150	15	2.1	5.2	40	420	1260	88	56	0.5	1 and 2
PE4-21-U2505	2150	25	2.5	4.4	35	425	1275	88	68	0.6	1 and 2

* Other voltage, current, and capacitance values are available on request.