

Applications:

DC linking or DC filtering in industry and traction converts, low power drives, wind turbine converters. Impulse discharge capacitors for magnetizing and welding. Replace of aluminum electrolytic capacitors for lower capacitance and higher currents.

Features:

- High impulse discharge current capability
- Very low stray inductance (ESL)
- Highest RMS current rating (120 A)
- Non-polar dielectric
- Resistance to heavy duty shock and vibration
- Long life expectancy and high reliability



Specification and Performance:

Standards	IEC 61071, IEC 61881-1
Installation	Indoor use, maximum above sea level 1000M
Capacitance tolerance	-5%/+10% (optional for ±5% or ±10%)
Operating temperature of case	-40 to +80
Dielectric	Metallized polypropylene film with self-healing technology
Dissipation factor	< 0.1%
Test voltage between terminals	Unx1.5 VDC, 10s
Test voltage between terminals and case	Unx2 VDC+1000 VAC, 10s
Equivalent series inductance (ESL)	< 70 nH
Filling	Epoxy resin, UL94 V-0
Casing material	Aluminum / Nylon
Terminals	M8 thread terminals of tinned brass, maximum torque 6Nm.
Mounting method	M12 stud with washer and nut on bottom of aluminum can. Maximum torque 12 Nm
Cooling method	Naturally air-cooled or force air cooling

ISO 9001 Company



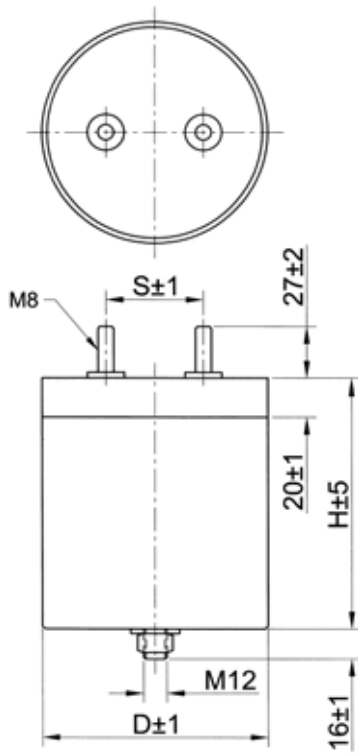
裕昌機電工廠股份有限公司
YUHCHANG ELECTRIC CO., LTD.

總公司: 台灣·台中市清水區中正街59號
台北連絡處: 台北市復興南路1段321號二樓
高雄連絡處: 高雄市復興一路5之1號

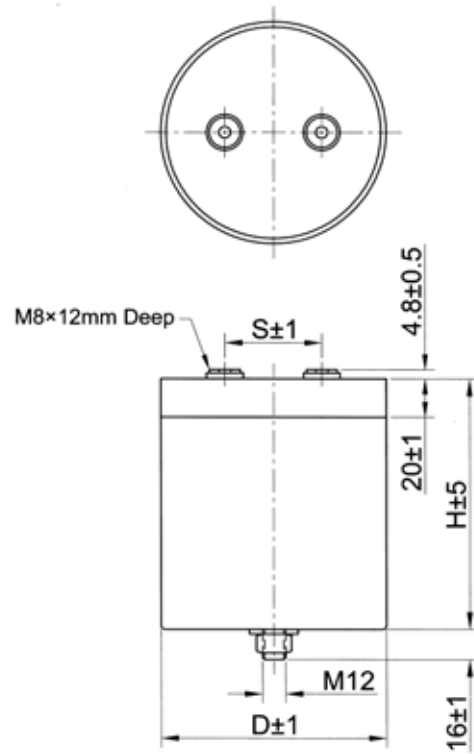
TEL:04-26224188
TEL:02-27021616
TEL:07-2417766

FAX:04-26224646
FAX:02-27066162
FAX:07-2915282

Address: 59, CHUNG-CHENG STREET, CHING-SHUI DISTRICT, TAICHUNG CITY 43653, TAIWAN
Tel: +886-4-26224188 Fax: +886-4-26224646
http://www.capacitor.com.tw E-mail: yce919@ms1.hinet.net



Drawing 1



Drawing 2

$U_{NDC} = 900V_{DC}$

Type	Voltage V_{DC}	μF	ESR (m Ω)	Rth (k/W)	I _{max.} (A)	I _p (kA)	I _s (kA)	D	H	S	Weight (kg)	Drawing No.
PE2-9-U3606	900	360	3.7	6.2	32	1.26	3.78	86	105	32	0.7	1 and 2
PE2-9-U9506	900	950	2.0	3.5	56	1.14	3.42	86	235	32	1.6	1 and 2
PE2-9-U2237	900	2235	0.7	2.0	120	7.82	23.5	116	260	50	3.3	1 and 2

$U_{NDC} = 1350V_{DC}$

Type	Voltage V_{DC}	μF	ESR (m Ω)	Rth (k/W)	I _{max.} (A)	I _p (kA)	I _s (kA)	D	H	S	Weight (kg)	Drawing No.
PE2-13-U1606	1350	160	3.3	10.6	26	0.80	2.40	86	105	32	0.7	1 and 2
PE2-13-U4006	1350	400	2.7	4.2	45	0.80	2.40	86	235	32	1.6	1 and 2
PE2-13-U9906	1350	990	1.1	1.8	108	4.95	14.9	116	260	50	3.3	1 and 2

$U_{NDC} = 2000V_{DC}$

Type	Voltage V_{DC}	μF	ESR (m Ω)	Rth (k/W)	I _{max.} (A)	I _p (kA)	I _s (kA)	D	H	S	Weight (kg)	Drawing No.
PE2-20-U7005	2000	70	7.6	7.2	21	0.56	1.68	86	105	32	0.7	1 and 2
PE2-20-U1806	2000	180	4.4	3.5	39	0.54	1.62	86	235	32	1.6	1 and 2
PE2-20-U4206	2000	420	1.3	2.3	90	3.36	10.1	116	260	50	3.3	1 and 2

$U_{NDC} = 2700V_{DC}$

Type	Voltage V_{DC}	μF	ESR (m Ω)	Rth (k/W)	I _{max.} (A)	I _p (kA)	I _s (kA)	D	H	S	Weight (kg)	Drawing No.
PE2-27-U4005	2700	40	13.3	5.7	18	0.40	1.20	86	105	32	0.7	1 and 2
PE2-27-U1006	2700	100	10.6	5.7	19	0.40	1.20	86	235	32	1.6	1 and 2
PE2-27-U2406	2700	240	2.2	1.5	84	0.84	2.52	116	260	50	3.3	1 and 2

* Other voltage, current, and capacitance values are available on request.