

## Applications:

DC linking or DC filtering in Voltage converters, Frequency converters, Traction drives, Industrial drives, UPS, Medical equipment

## Features:

- ◆ High impulse discharge current capability
- ◆ Very low stray inductance
- ◆ Extremely low losses at high frequencies
- ◆ Highest RMS current rating ( $\leq 100$  A)
- ◆ Casing material UL94 V-0
- ◆ Resistance to heavy duty shock and vibration
- ◆ Long life expectancy and high reliability



## Specification and Performance:

Standards	IEC 61071, IEC 61881-1
Installation	Indoor use, maximum above sea level 1000M
Capacitance tolerance	-5%/+10% (optional for $\pm 5\%$ or $\pm 10\%$ )
Operating temperature of case	-40°C to +80°C
Dielectric	Metallized polypropylene film with self-healing technology
Dissipation factor	< 0.1%
Test voltage between terminals	Unx1.5 VDC, 10s
Test voltage between terminals and case	Unx2 VDC+1000 VAC, 10s
Equivalent series inductance (ESL)	< 30 nH
Filling	Epoxy resin, UL94 V-0
Casing material	Polyester tape, UL94 V-0
Terminals	M8 female thread terminals of tinned brass, maximum torque 8.5Nm.
Cooling method	Naturally air-cooled or force air cooling

ISO 9001 Company



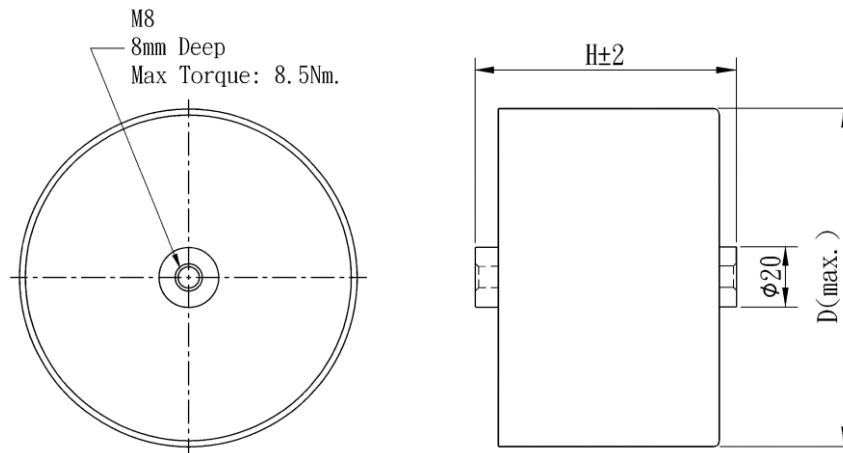
**裕昌機電工廠股份有限公司**  
YUHCHANG ELECTRIC CO., LTD.

總公司: 台灣·台中市清水區中正街59號  
台北連絡處: 台北市復興南路1段321號二樓  
高雄連絡處: 高雄市復興一路5之1號  
Address: 59, CHUNG-CHENG STREET, CHING-SHUI DISTRICT, TAICHUNG CITY 43653, TAIWAN  
Tel: +886-4-26224188

TEL:04-26224188  
TEL:02-27021616  
TEL:07-2417766

FAX:04-26224646  
FAX:02-27066162  
FAX:07-2915282

http://www.capacitor.com.tw E-mail: yce919@ms1.hinet.net



$U_{NDC} = 900V_{DC}$

Type	Voltage $V_{DC}$	$\mu F$	ESR (m $\Omega$ )	Rth (K/W)	I <sub>max.</sub> (A)	I <sub>p</sub> (A)	I <sub>s</sub> (A)	D	H	Weight (kg)
PE1-9-U2505	900	25	0.6	4.8	80	750	2250	92	52	0.3
PE1-9-U1006	900	100	0.8	6.1	50	1000	3000	92	77	0.4
PE1-9-U1506	900	150	0.9	4.7	52	1050	3150	92	87	0.5

$U_{NDC} = 1250V_{DC}$

Type	Voltage $V_{DC}$	$\mu F$	ESR (m $\Omega$ )	Rth (K/W)	I <sub>max.</sub> (A)	I <sub>p</sub> (A)	I <sub>s</sub> (A)	D	H	Weight (kg)
PE1-12-U5005	1250	50	1.0	8.0	50	600	1800	92	77	0.4
PE1-12-U7505	1250	75	1.3	6.3	45	750	2250	92	87	0.5

$U_{NDC} = 1800V_{DC}$

Type	Voltage $V_{DC}$	$\mu F$	ESR (m $\Omega$ )	Rth (K/W)	I <sub>max.</sub> (A)	I <sub>p</sub> (A)	I <sub>s</sub> (A)	D	H	Weight (kg)
PE1-18-U2505	1800	25	1.3	9.1	42	500	1500	92	77	0.5
PE1-18-U3505	1800	35	1.8	6.2	38	420	1260	92	87	0.5

$U_{NDC} = 2150V_{DC}$

Type	Voltage $V_{DC}$	$\mu F$	ESR (m $\Omega$ )	Rth (K/W)	I <sub>max.</sub> (A)	I <sub>p</sub> (A)	I <sub>s</sub> (A)	D	H	Weight (kg)
PE1-21-U7504	2150	7.5	4.2	13.0	20	180	540	92	77	0.5
PE1-21-U2505	2150	25	2.5	6.2	32	400	1200	92	85	0.5

\* Other voltage, current, and capacitance values are available on request.