

# Capacitors for Power Electronics

## Energy storage capacitors

Dry type, Metallized film, Energy density up to 1J/cc

## Series **ESD**



## General

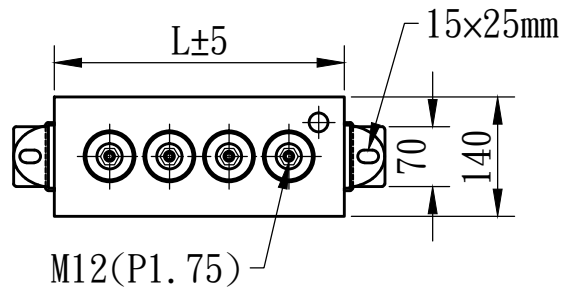
The ESD series capacitors are specifically designed for discharge applications. The capacitor has low losses and elements are made by self-healing metallized polypropylene film with dry technology. The special composition of polymeric dielectric enables to reach high dielectric strength and energy density up to 1J/cc. Special construction of connection terminals provides low self-inductance. The capacitors have excellent operating current and lifetime.

## Characteristics

Standard	IEC 61071
Capacitance tolerance	±10% (optional ±5%)
Rated DC Voltage	up to 40kV
Dielectric	Polypropylene
Tangent of the loss angle	< 0.02%
Self-inductance (ESL)	< 50nH
Test voltage between terminals	1.25xUn / 10s at 25±5°C
Test voltage between terminals and case	1.5xUn VAC / 60s at 60Hz 25±5°C
Operating temperature	-40°C / +70°C (optional 85°C)
Storage temperature	-40°C / +85°C
Case	Rectangular non-magnetic stainless steel
Filling material	Epoxy resin (RoHS complied)
Cooling method	Natural



# Reference Dimensions



# Capacitors for Power Electronics

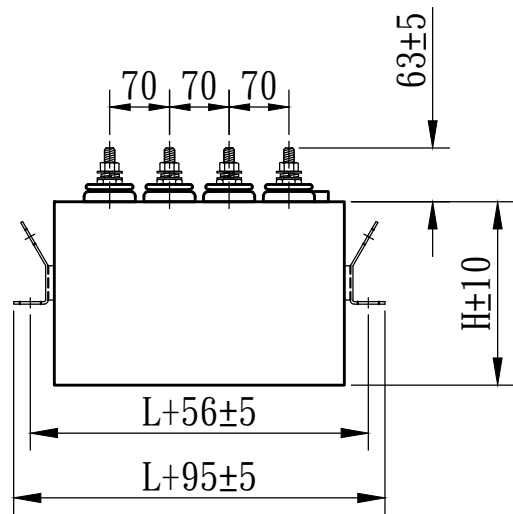
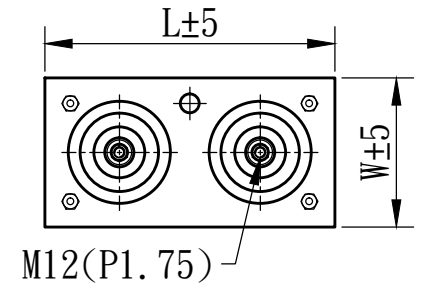
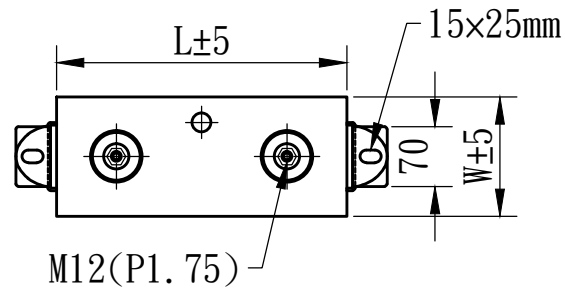


Fig. 1

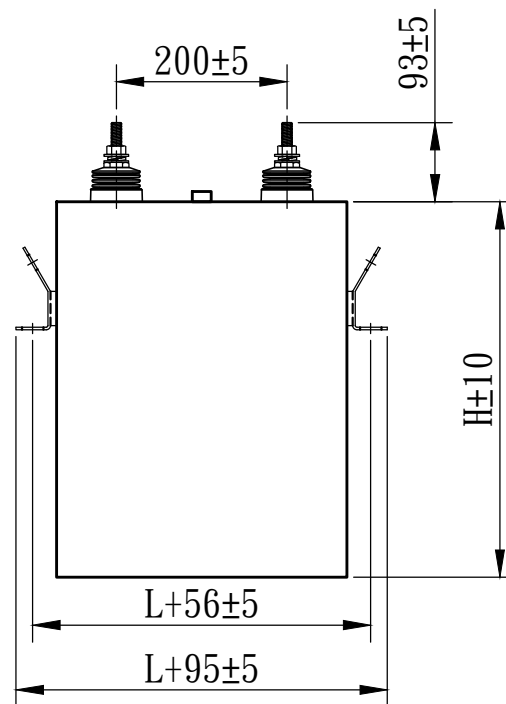


Fig. 2

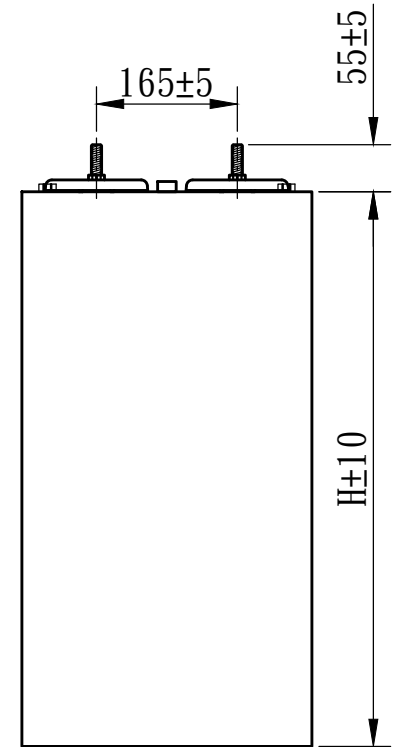


Fig. 3