



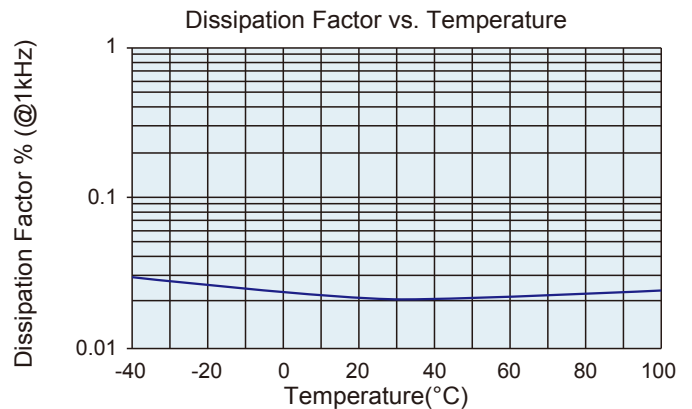
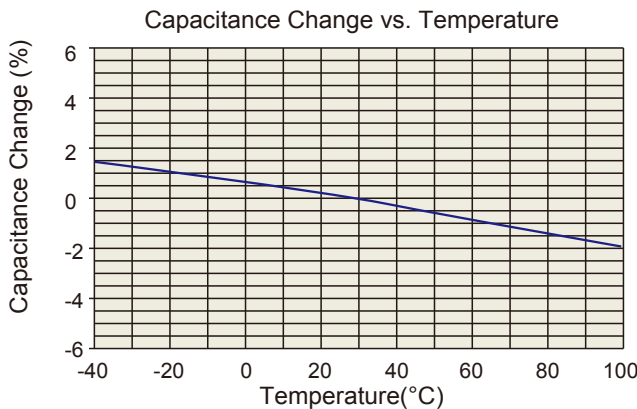
低壓電力電容器 >>>>

製品規範及性能 / Specification and Performance

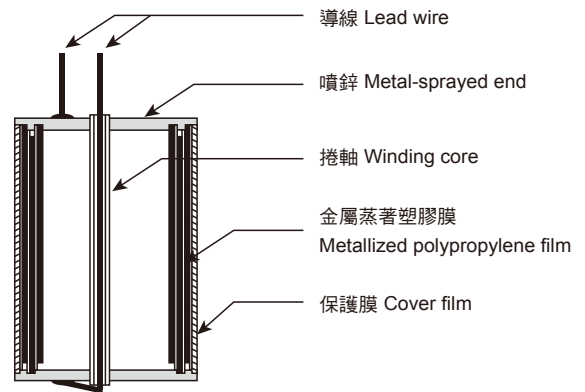
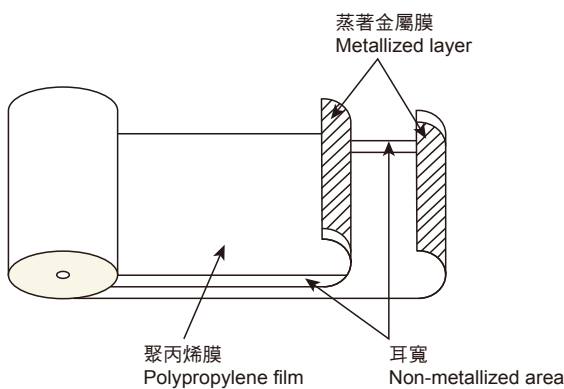
依據標準 Standards	CNS 1179, 3738; IEC 60831; JIS C 4901
產品認證 Quality approval	正字標記認證 (台正字第2845號) CNS mark (No. 2845)
工廠認證 Factory approval	ISO 9001(2008年版) 認證 ISO 9001:2008 certificated
適用高度 Usable altitude	海拔2000公尺以下；乾式屋內型相對濕度95%以下 Not exceeding 2000M; Relative Humidity below 95% for dry-type and indoor use capacitors.
電介質 Dielectric	蒸著金屬聚丙烯塑膠膜，具自復性機能 Metallized polypropylene film with self-healing mechanism.
絕緣油 Insulation oil	油式：精製植物油（無PCB） Vegetable oil (Non-PCB) for oil type 乾式：無 No oil for dry type
頻率 Frequency	60Hz
容量誤差 Tolerance	-5%~+10%
周圍溫度 Ambient temperature	-25°C~+50°C (24小時平均溫度小於40°C，一年平均溫度小於30°C) [其他溫度種類可訂製] -25°C~+50°C (24hours average below 40°C, annual average below 30°C) [Other ambient temperature categories on request]
最大容許過電壓 Maximum permissible voltage	額定電壓110% (24小時中8小時以內) 110% of rated voltage (8 hrs in every 24 hrs) 額定電壓115% (24小時中30分鐘以內) 115% of rated voltage (30 min in every 24 hrs) 額定電壓120% (5分鐘，最多200次) 120% of rated voltage (5 min / max 200 times) 額定電壓130% (1分鐘，最多200次) 130% of rated voltage (1 min / max 200 times)
最大容許過電流 Maximum permissible current	額定電流130% 130% of rated current
介質損失率 Dissipation factor of dielectric	小於0.02% 或 0.2W / kVAR (不含放電電阻) Less than 0.02% or 0.2W / kVAR (without discharge resistors)
電容器損失率 Dissipation factor of capacitor	小於0.15% 或 1.5W / kVAR (含放電電阻) Less than 0.15% or 1.5W / kVAR (with discharge resistors)
端子間耐電壓 Test voltage between terminals	額定電壓×2.15VAC，施加10秒 Rated voltage x 2.15 Vac, 10 second
端子與外殼間耐電壓 Test voltage between terminals and case	屋內型：3000VAC，施加1分鐘 / 3000VAC, 1 minute (For indoor use) 屋內外型：10kVAC，施加1分鐘 / 10kVAC, 1 minute (For indoor & outdoor use)
衝擊電壓(BIL) Impulse voltage (BIL)	屋內外型(indoor & outdoor use): 30kV (1.2×50 μS)
絕緣電阻(T-C) Insulation resistance	1000MΩ 以上 above 1000MΩ
放電特性 Discharge character	電容器切離電源1分鐘後，殘餘電壓降至50V以下 The residual voltage drops to 50V or lower in 1 minute after capacitor being disconnected from power source.
保安性 Safety	內裝壓力拉斷型保安裝置具過載及故障保護機能，通過UL 810之AFC 10000A認證，案號E112211。 Internal protective device (Pressure sensitive interrupter) with overload and failure protection. UL 810 AFC 10000A approval, File NO. E112211.
容許湧入電流 Max Inrush current	額定電流×200倍 Rated current x 200
保護等級 Degree of protection	乾式M型：IP 50 IP 50 for dry M type 乾式C型：IP 20 IP 20 for dry C type 油式屋內型：IP 50 IP 50 for oil type indoor use

蒸著金屬聚丙烯塑膠膜電氣特性

The electrical properties of metallized polypropylene film



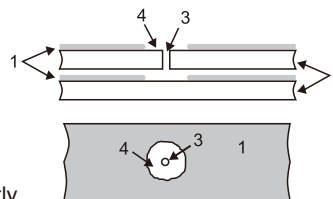
電容器元件 Capacitor element



自復性機能 Self-healing mechanism

電介質採用金屬化塑膠膜 (Metallized Polypropylene Film)，當異常電壓發生而破壞介質時，破壞點附近之金屬膜瞬間消失，絕緣立即自動恢復。此自復作用將於數微秒內完成，使故障立即排除，電容器得以繼續使用

Dielectric adopts metallized polypropylene film as intermediate; in case excessive voltage takes place and damages the material, the metallized layer around the damaged spot will disappear instantly, and insulation is restored immediately



1. 蒸著金屬層 / Metallized layer
2. 聚丙烯塑膠膜 / Polypropylene film
3. 絕緣破壞點 / Damaged spot
4. 自復範圍 / Self-healing range

型式說明 / Type Formation

Y □ M □ - □□ K □□ □ □□
1 2 3 4 5 6 7 8 9 10

1. 裕昌牌	1. Yuhchang brand
2. 外殼形狀: S 為方形, R 為橢圓形, Y 為圓柱形	2. Case style: S is box, R is oval, Y is cylindrical
3. 電容器元件材料為蒸著金屬膜	3. Material of capacitor elements is Metallized film
4. 頻率: A 為60Hz, B 為50Hz	4. Frequency: A is 60Hz, B is 50Hz
5. 額定電壓以電壓值÷10表示	5. Rated voltage is represented by voltage/10
6. 額定容量以kvar為單位	6. Unit of capacity in kvar
7. 額定容量kvar值	7. Value of kvar capacity
8. 相數: S 為單相, T 為三相	8. Phase: S is single phase, T is three phases
9. D 為乾式電容器, 油式電容器此碼不用 G 為充氣式乾式電容器	9. D for dry type capacitors, No use this code only for oil type capacitors G for gas-filled dry type capacitors
10. M 為乾式金屬外殼, C 為圓柱形鋁罐 油式電容器此碼不用	10. M for dry type capacitor with metal case C for dry type capacitor with cylindrical Aluminum can. No use this code for oil type capacitors.