

Performance:

Reference Standards	IEC 60871
Installation	Indoor use, maximum above sea level 1000M
Capacitance tolerance	-5%/+10% (Optional for $\pm 5\%$ or $\pm 10\%$)
Operating temperature of case	-25°C to +70°C
Dielectric	Polypropylene film
Dissipation factor	< 0.1%
Test voltage between terminals	Unx1.25 V, 10s
Terminals	M12*30mm thread terminals of tinned brass (for DC capacitors) Round head female thread terminals of tinned brass (for AC capacitors)
Cooling method	Naturally air-cooled



Specifications:

電壓	容量	尺寸 (Size)		概重 (kg)	參考圖	料號	
KVDC	nF	管徑 (D) Diameter	高/Height H (mm)	Approx. Weight	Ref. Figure	PART NUMBER	
60	200	5"	850	23	4	4002A1D00060300	
75	20		500	17	4	4002B1D00075300	
80	50		500	17	2	4005B1D00080300	
100	2		600	18.5	5	4002C1D00010400	
100	40		600	18.5	6	4004B1D00010401	
150	20		1000	25	4	4002B1D00015400	
200	0.3		1000	25	4	4003D1D00020401	
200	2		1000	25	4	4002C1D00020400	
300	2		1000	25	4	4002C1D00030400	
300	3		1130	28	1	4003C1D00030400	
300	4		1000	25	4	4004C1D00030400	
1400	2		(note 1) Hn=650 H _T =Hn*7=4550	138	3	3	4002C1D00014500

Note 1: 200KVDC 14nF*7 in series

ISO 9001 Company



裕昌機電工廠股份有限公司
YUHCHANG ELECTRIC CO., LTD.

總公司: 台灣·台中市清水區中正街59號
台北連絡處: 台北市復興南路1段321號二樓
高雄連絡處: 高雄市復興一路5之1號

Address: 59, CHUNG-CHENG STREET, CHING-SHUI DISTRICT, TAICHUNG CITY 43653, TAIWAN

Tel: +886-4-26224188

Fax: +886-4-26224646

http://www.capacitor.com.tw

E-mail: yce919@ms1.hinet.net

電壓	容量	尺寸 (Size)		概重 (kg)	參考圖	料號
KVAC	nF	管徑 Diameter	高/Height H (mm)	Approx. Weight	Ref. Figure	PART NUMBER
25	50	5"	500	17	1	4005B1A60025300
50	50		1500	42	1	4005B1A60050301
100	0.1		600	17	1	4001D1A60010400
100	0.5		600	17	1	4005D1A60010400
100	1		800	22	1	4001C1A60010401
150	0.5		650	19.5	1	4005D1A60015401
360	1		(note 2) Hn=900 H _T =Hn*3=2700	72	3	4001C1A60036400
500	0.5		(note 3) Hn=600 H _T =Hn*5=3000	95	3	4005D1A60050400

Note 2: 120KVAC 3nF*3 in series Note 3: 100KVAC 2.5nF*5 in series

* Other voltage and capacitance values are available on request.

Reference Figures:

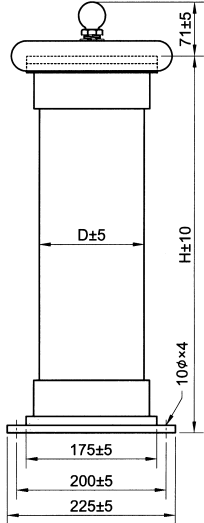


Fig. 1

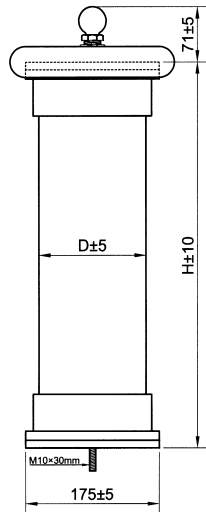


Fig. 2

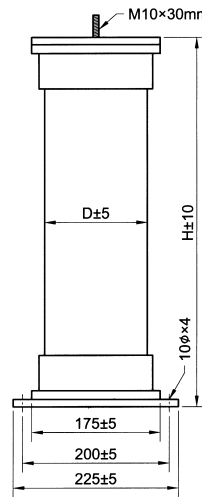


Fig. 4

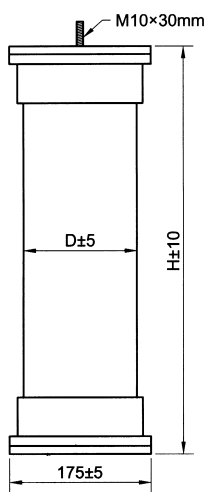


Fig. 5

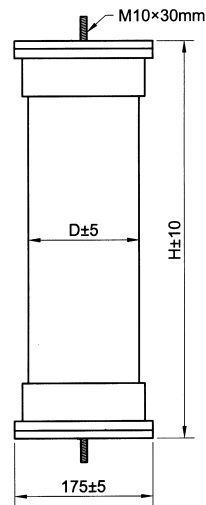


Fig. 6

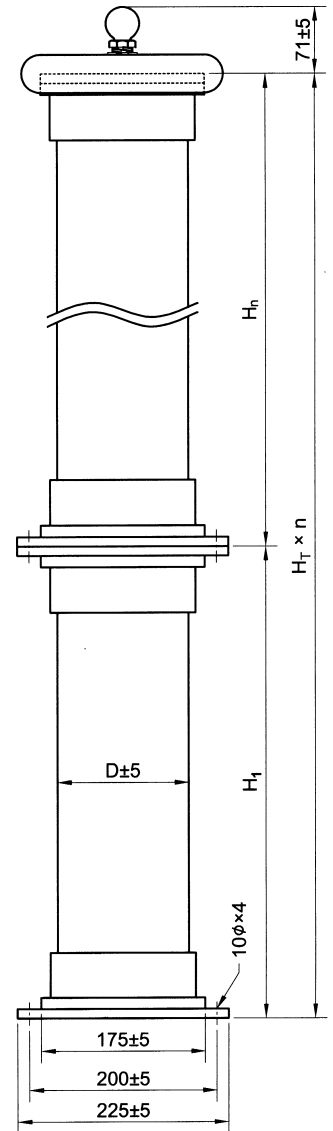


Fig. 3



裕昌機電工廠股份有限公司
YUHCHANG ELECTRIC CO., LTD.