

# APFR

AUTOMATIC POWER FACTOR REGULATOR

## 自動功率因數調整器

Intelligent

Digitalized

Real Time Monitor



### FEATURES

Automatic / Manual Operation  
Frequency 50/60Hz Auto-Detecting  
With PF Abnormal Alarm Indicator and Contact  
Free CK Ratio Setting  
Switch In and Out Delay Time Programmable

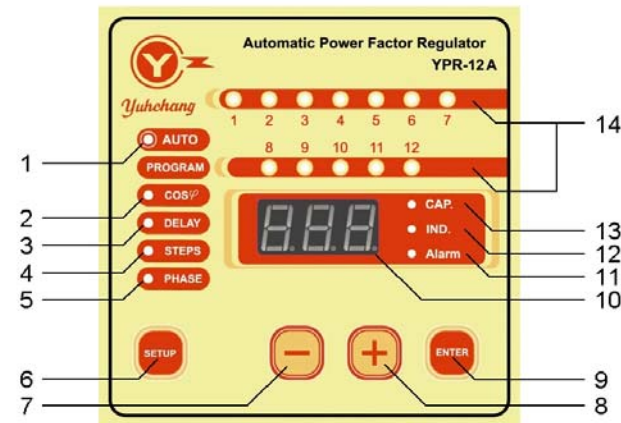
Power Failure Auto Resume  
Programmable Margin of Target PF  
Over-Compensation Protected  
Circular or Weight sequence controls  
Built-in RS-485 interface  
PC Communication and Software (Optional)



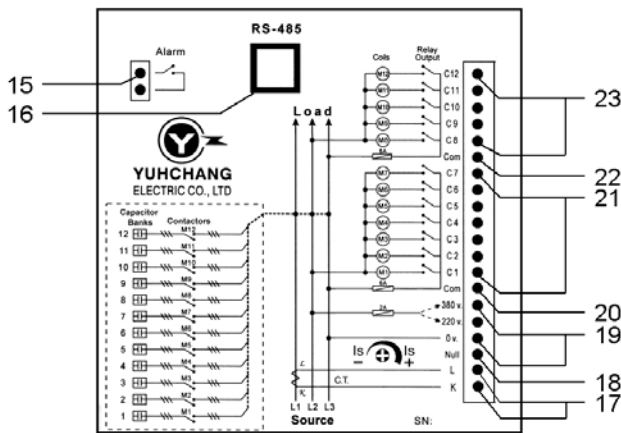
裕昌機電工廠股份有限公司  
YUHCHANG ELECTRIC CO., LTD.



## DESCRIPTION



1. Operating indicator (Auto/Manual/Setting modes indication)
2. Target power factor (PF) setting
3. Switching delay time setting
4. Capacitor steps setting
5. Number of Phase setting
6. Procedure setting key
7. Number decrease key or Manual switch-out capacitor key
8. Number increase key or Manual switch-in capacitor key
9. Enter key to confirm all setup values
10. LED digital display
11. Indicator for abnormal PF
12. Indicator for PF in Lag (Indicative)
13. Indicator for PF in Lead (Capacitive)
14. Switching status of capacitor steps



15. Contacts of abnormal PF alarm
16. RS-485 communication input / output terminals
17. Terminals for secondary K and L signals of CT
18. No use
19. Terminals for operating power source 220V or 380V
20. Common terminal of 1 to 7 output contacts
21. Output terminals for 1 to 7 steps
22. Common terminal of 8 to 12 output contacts
23. Output contacts for 8 to 12 input steps

## SPECIFICATION

Model	Steps	Operating Voltage	Operating Temperature	Dimension (mm)	Panel Cut-Out (mm)
YPR-7	7-steps (programmable)	AC 220/380V ±20% 50/60Hz auto detecting	-10°C to +60°C	144x144x98 (L x W x D)	138 x 138
YPR-12A	12-steps (programmable)				

- Phases: 1 or 3 phase programmable
- Setting range of target power factor: 0.7(IND.) to 0.7(CAP.)
- Upper and lower margin of target PF: Programmable from 0.00 to 0.10
- Switch-in delay time: Programmable from 1 to 995 seconds
- Switch-out delay time: Programmable from 1 to 30 seconds
- Steps setting: 1 to 7 steps (YPR-7), 1 to 12 steps (YPR-12A)
- Switching sequence mode: circular or weight modes
- Abnormal PF release setting: Programmable from 0.00 to 0.60
- CT spec: Secondary 5A
- Built-in RS-485 communication terminals
- Capacity of contacts: 250V 10A
- Consumption: Max. 9 VA
- Approximately weight: 810g



**裕昌機電工廠股份有限公司**  
**YUHCHANG ELECTRIC CO., LTD.**

Head Office: No.59, Chung-Cheng Street, Chingshui, Taichung, Taiwan, R.O.C.

TEL: +886-4-26224188

FAX: +886-4-26224646

Taipei Office: 2nd Fl. Everlast Bldg., No.321, Fu-Hsing S. Rd., Sec. 1, Taipei, Taiwan, R.O.C.

TEL: +886-2-2702-1616

FAX: +886-2-2706-6162

Web Site: <http://www.capacitor.com.tw>

E-mail: [yce919@ms1.hinet.net](mailto:yce919@ms1.hinet.net)

YCE CAT-07(E) V04 2009.03